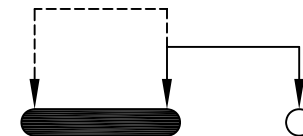
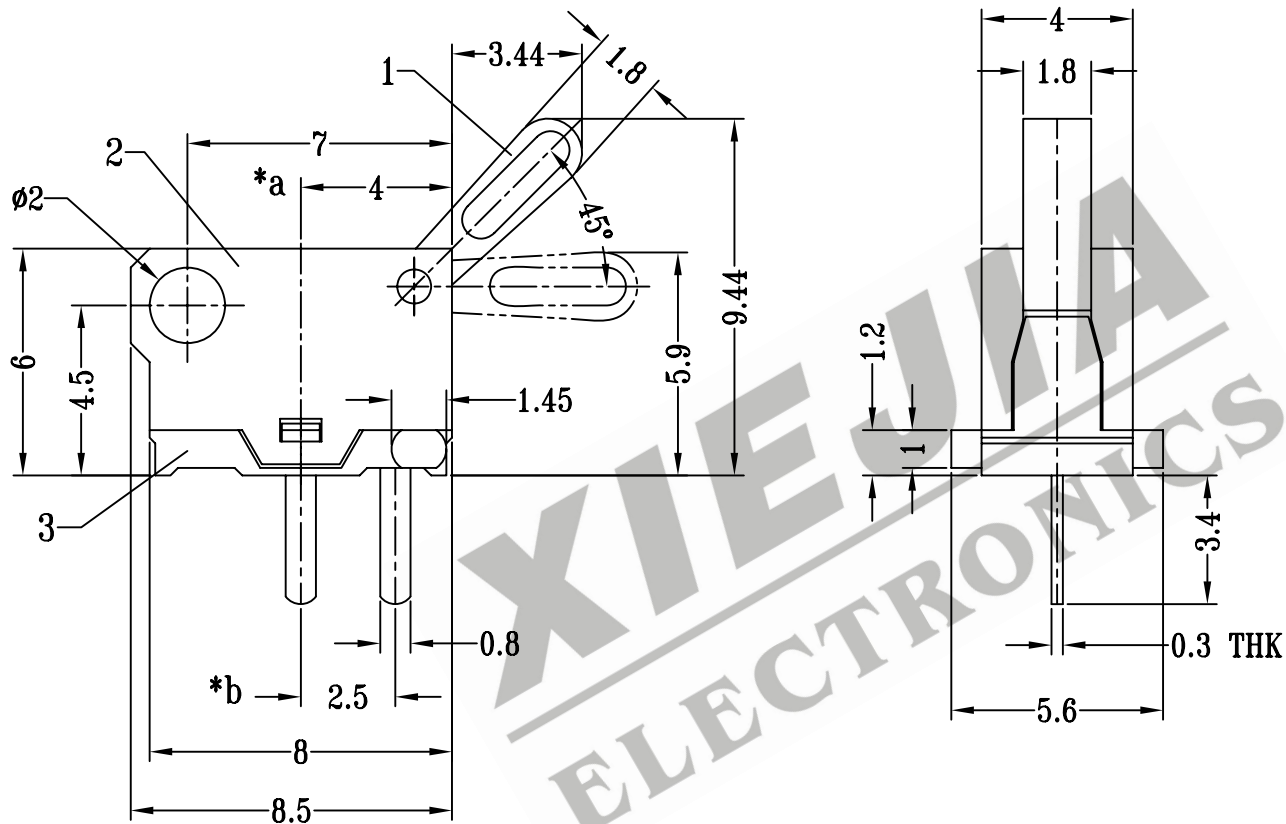
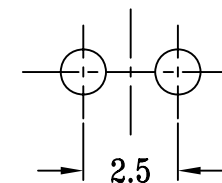


CAD FILE:



SCHEMATIC



P.C.B LAYOUT

注:带"*"表示关键尺寸(2个)

8					TOLERANCE UNLESS SPECIFIED	SHENZHEN XIEJIA ELECTRONICS CO.,LTD.				
7										WITHIN : 1.5±0.1mm OVER : 1.5±0.2mm
6	CONTACT CLIP	PBS	1	Ag CLAD	ISSUE	DATE	DESCRIPTIONS OF REVISION		APPD.	
5	SPRING	STAINLESS STEEL WIRE	1	TEMPER						
4	SLIDER	PBT(3316)	1	BLACK	TITLE : MICRO SWITCH		UNIT : mm	DRWG NO.: XJ-DR-MX001D-00		
3	CASE	PA46/BRASS STRIP	1	BLACK/Ag PLATED OVER Ni PLATED	MODEL: MX-001D		SCALE: 5:1	DWN.	ZHOUYU	2001-5-12
2	COVER	PBT(3316)	1	BLACK	ALL MATERIALS MUST BE COMPLIANT TO ROHS		CHK'D	FANGYING	2001-5-12	
1	KNOB	POM	1	BLACK			APPD.	KANGXINAN	2001-5-12	
NO.	PARTS	MATERIALS	Q'TY	FINISH						